

Cable installation

Fastening elements for aligned installation of sheathed cables

SH Cable Holder

For the multiple carrying of up to 30 plastic-sheathed cables with Ø 10 mm.

Material halogen-free, PP, UV-stabilised, temperature range: -10 to +85 °C. HO = halogen-free

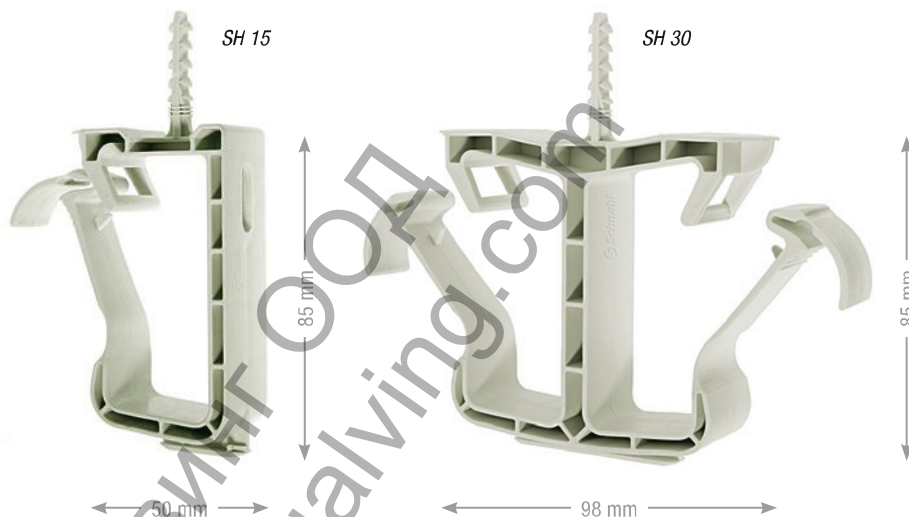
Type	Article number	Capacity*	Colour	Content Box
SH 15 HO	30520	max. 15	light grey	150/400
SH 30 HO	30540	max. 30	light grey	70/200

* based on NYM 3 x 1,5 mm²



The SH holder forms a closed ring around the plastic-sheathed cables and can be re-opened using a handle.

Up to two EC Euro-Clips of different dimensions for conduit installation can be mounted.



SHS cable holder for screws

For the multiple carrying of up to 15 cables with Ø 10 mm. The SHS is designed for materials in which the plug-in technology doesn't work.

Material halogen-free, PP, UV-stabilised, temperature range: -10 to +85 °C. HO = halogen-free

Type	Article number	Capacity*	Colour	Content Box
SHS 15 HO	30560	max. 15	light grey	150

* based on NYM 3 x 1,5 mm²



By using a screw the SHS can be easily fastened on metal or wood. The SHS forms a closed ring around the cables and can be re-opened using a handle.